

The innovative features of AU8504 consist of the digital ATSC 8-VSB demodulation. AU8504 directly accepts IF or low IF from the tuner section via an internal ADC (Analog to Digital Converter). Following demodulation and error correction, it provides the MPEG-2 transport stream to the transport demultiplexer.

The AU8504's small size and low power make it well suited for any system designed to receive information from DTV broadcasts. This includes stand-alone SDTV or HDTV sets, STBs and PC peripheral appliances.

## AU8504 FEATURES

### Digital TV demodulation:

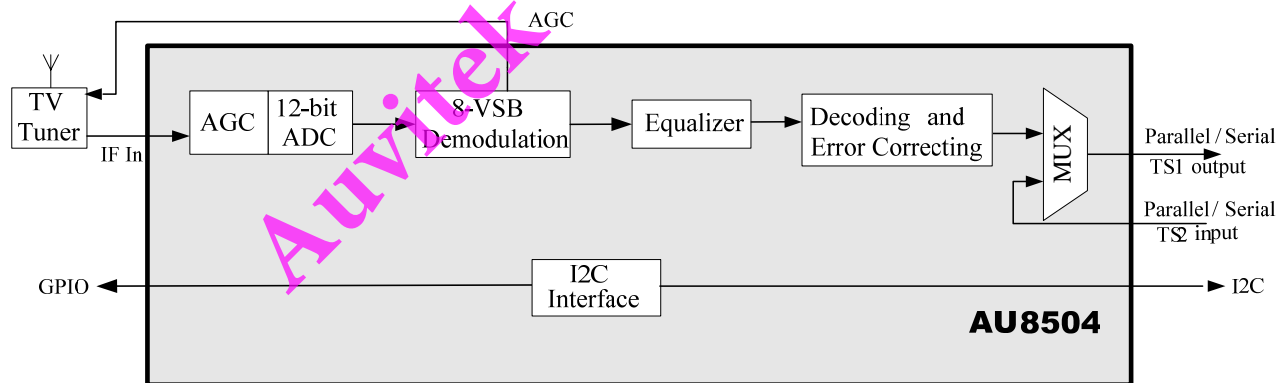
- ◆ Build-in 30dB range analog AGC and 12 bit ADC
- ◆ Build-in Tuner RF and IF AGC controllers.
- ◆ Programmable IF frequency.
- ◆ ATSC compliant 8VSB demodulation
- ◆ Transport Stream or Program Stream input/output in parallel or serial format

### Bus and interface:

- ◆ I2C Bus support
- ◆ GPIO support

**Package:** 128 pin LQFP,  
Pin compatible with AU8502

## AU8504 BLOCK DIAGRAM



## APPLICATIONS

- 1) HD/SDTV
- 2) Set-top boxes
- 3) PC peripherals